



"WORLD-CLASS ANODES"

WINCA-A-C

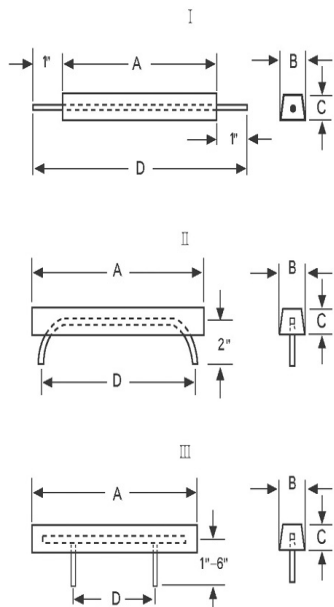
Cast Aluminum Anodes

Chemical Composition (%)

	Zn	In	Cd	Sn	Mg	Si	Fe (max)	Cu (max)	Al
WIN-ALUM- I	2.5-4.5	0.018-0.050	0.005-0.020	-	-	0.13max	0.16	0.02	Balance
WIN-ALUM- II	2.2-5.2	0.020-0.045	-	0.018-0.035	-	0.13max	0.16	0.02	Balance
WIN-ALUM-III	5.5-7.0	0.025-0.035	-	-	-	0.10-0.15	0.16	0.02	Balance
WIN-ALUM-IV	2.5-4.0	0.020-0.050	-	0.025-0.075	0.50-1.00	0.13max	0.16	0.02	Balance

Electrochemical Properties

Open-Circuit Voltage (-V respect to Cu/CuSo4)	Closed-Circuit Voltage (-V respect to Cu/CuSo4)	Actual Capacity (A • h/lb)	Current Efficiency (%)
1.17-1.25	1.12-1.19	>1186	>85

OFFSHORE SERIES 	Dimenstions			Weight (lb)	Core Type Length (D)		
	A (ft)	B(in)	C(in.)		I (ft)	II (ft)	III(ft)
H325	8	6.5	6.5	325	10	7	7
H365	5	8	8	365	7	7	4
H408	6	8	7.5	408	8	8	5
H450	7	8	7.5	450	9	9	6
H490	8	8	7	490	10	10	7
H535	9	8	7.5	535	11	11	8
H572	10	8	7.5	572	12	12	9
H614	11	8	7.5	614	13	13	10
H725	8	9.5	9.5	725	10	10	7
H825	5	12	12	825	7	7	4
H915	6	12	11	915	8	8	5
H1000	7	12	11	1000	9	9	6
H1080	8	12	11	1080	10	10	7
H1180	9	12	10	1180	11	11	8
H1260	10	12	10	1260	12	12	9
H1348	11	12	10	1348	13	13	10

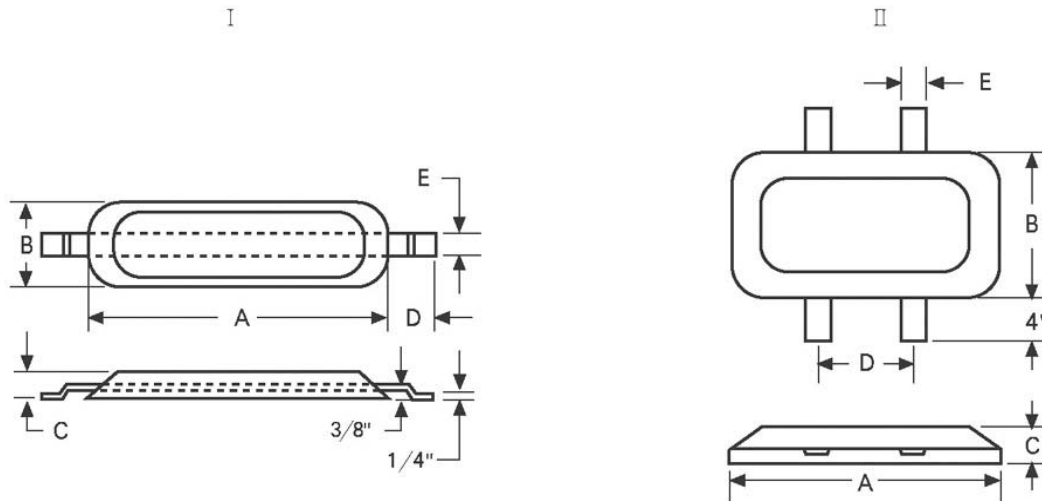


"WORLD-CLASS ANODES"

WINCA-A-C

Cast Aluminum Anodes

VESSEL SERIES



BOTH TYPES AVAILABLE IN EITHER WELD OR BOLT ON STRIPS

	Configuration	Dimensions			Mntg. Brackets		Weight (lb)
		A (in.)	B (in.)	C (in.)	D (in.)	E (in.)	
AA-2-10H	II	14	6.5	1.25	6	1.25	10
AA-1-12H	I	14	4.5	2.25	2.5	1.5	12
A-2-15H	II	21.5	5	1.5	11.5	1.25	15.5
AA-1-20H	I	24	4.5	2.25	2.5	1.5	20
AA-1-23H	I	24	5	2	2.5	1.25	23
A-1-29H	I	24	5	2.5	2.5	1.5	29
AA-2-32H	II	20	10	2	10	1.5	32